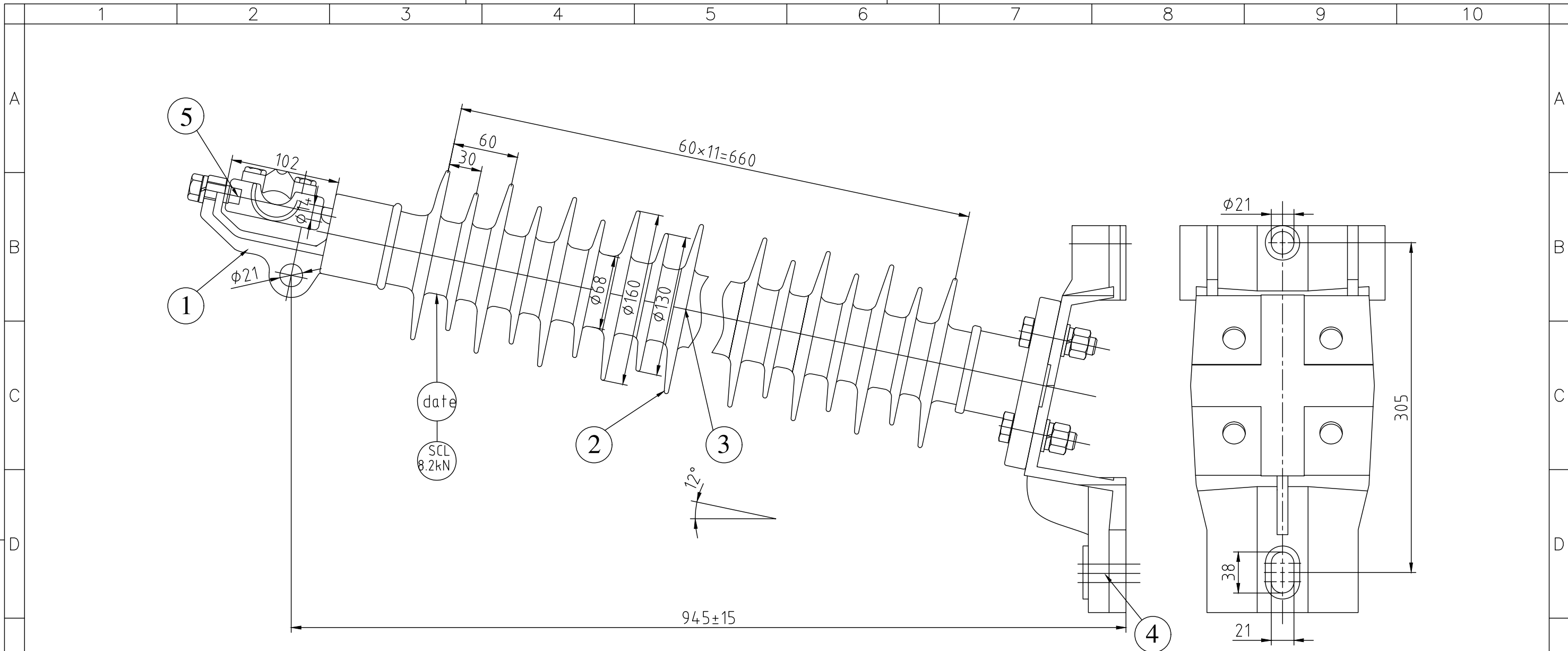
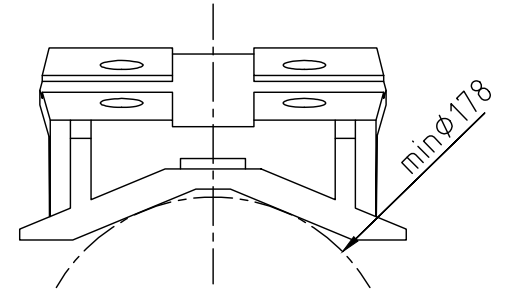


Note: to purchaser all sales of Huaci products are subject to our standard terms and conditions and the limited warranties thereunder.



NOTE:
 1. ALL DIMENSIONS ARE IN MILLIMETERS.
 2. IRON AND STEEL ARE HOP DIP GALVANIZED ACCORDING ASTM A153.
 3. ALL THE TECHNICAL AND TESTING ARE IN ACCORDANCE WITH ANSI/NEMA C29.17.

10	Maximum Design Cantilever Load (MDCL): kN	4.1
9	Specified Cantilever Load (SCL): kN	8.2
8	Critical Impulse Flashover Voltage, Negative: kV	475
7	Critical Impulse Flashover Voltage, Positive: kV	440
6	Low-Frequency Flashover Voltage, Dry: kV	290
5	Low-Frequency Flashover Voltage, Wet: kV	250
4	Leakage Distance mm	2248
3	Dry Arcing Distance: mm	750
2	Section Length: mm	945
1	Rated Voltage: kV	69
No	Description	Value



7	/	/	/	/
6	/	/	/	/
5	Trunion Clamp	Aluminum	As Specified	1
4	Fixed Gain	Galvanized Steel	As Specified	1
3	Core	ECR Fiberglass Rod	Φ60	1
2	Weathersheds	HTV Silicone Rubber	Alternating(Φ160/Φ130)	23
1	Horizontal Trunion	Galvanized Steel	As Specified	1
No	Description	Material	Remark	Qty

Manufacture			Title				
HUACI			Transmission Line Post Type Insulators				
Pingxiang Huaci Insulators Group Co., Ltd.							
Class	IEC: /	Date	Drawing No	Design	Check	Approve	Scale
	ANSI: FPS-69/8.2	2022/09/08	EC-LI06981	杨志	吴薇	张	1:2.27
	GB: /						
Material		Weight	Color	Type No		Rev	
Composite/Silicone		19.6kg	Light Grey	FPS-69/8.2		/	