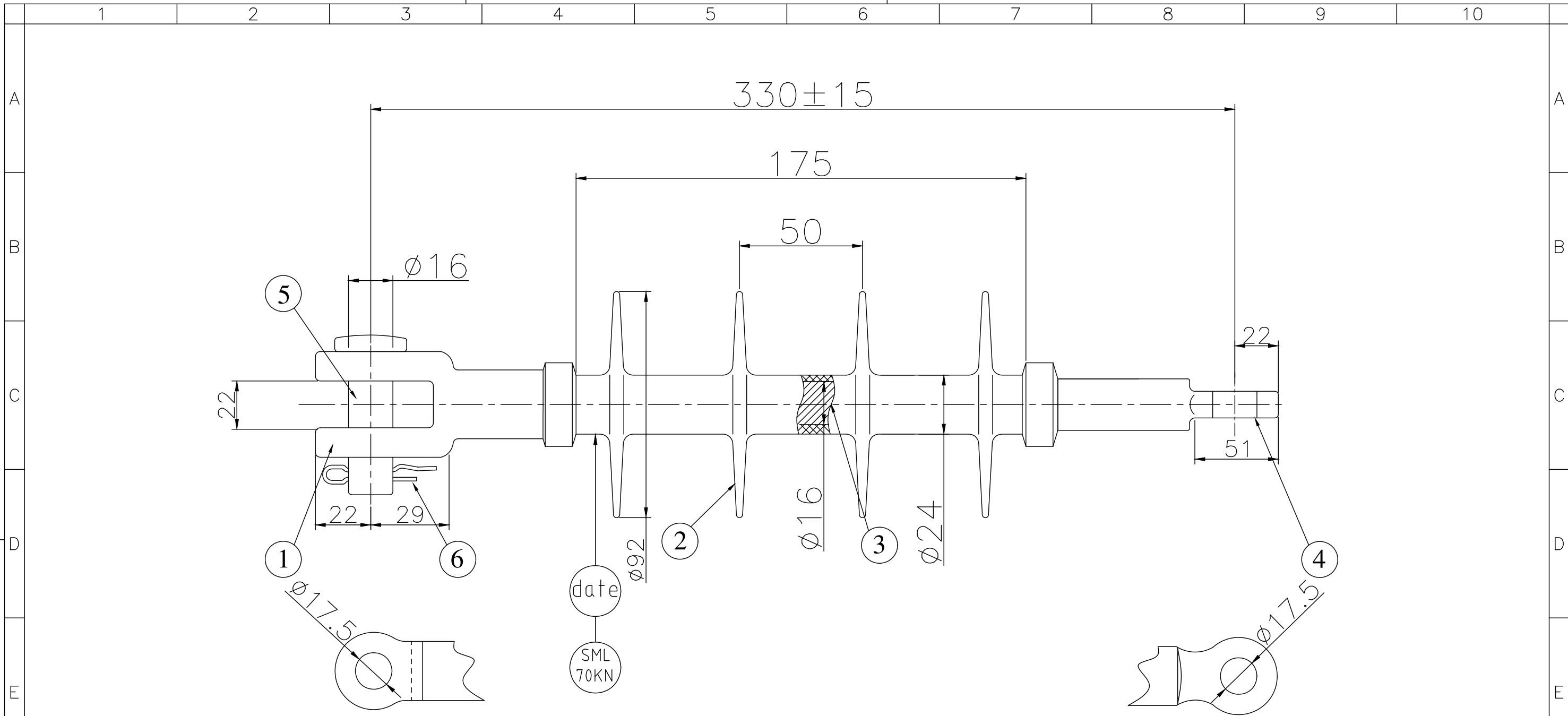


Note: to purchaser all sales of Huaci products are subject to our standard terms and conditions and the limited warranties thereunder.



NOTE:
 1. ALL DIMENSIONS ARE IN MILLIMETERS.
 2. IRON AND STEEL ARE HOP DIP GALVANIZED ACCORDING TO ASTM A153.
 3. ALL THE TECHNICAL AND TESTING ARE IN ACCORDANCE WITH ANSI/NEMA C29.13.

No	Description	Material	Remark	Qty
6	Split Pin	Stainless Steel	ANSI C29.2 52-4	1
5	Coupling Pin	Forged Steel	ANSI C29.2 52-4	1
4	Tongue	Forged Steel	ANSI C29.2 52-4	1
3	Core	ECR Fiberglass Rod	φ16	1
2	Weathersheds	HTV Silicone Rubber	φ92	4
1	Clevis	Forged Steel	ANSI C29.2 52-4	1

11	Radio Influence Data, Maximum RIV 1000 kHz: μV	10
10	Radio Influence Data, Test Voltage: kV	15
9	Torsional Load: N.m	48
8	Routine Test Load (RTL): kN	35
7	Specified Mechanical Load (SML): kN	70
6	Critical Impulse Flashover Voltage, Positive/Negative: kV	145/175
5	Low-Frequency Flashover Voltage, Wet/Dry: kV	70/90
4	Leakage Distance: mm	350
3	Dry Arcing Distance: mm	170
2	Section Length: mm	330
1	Rated Voltage: kV	13.8
No	Description	Value

Manufacture HUACI Pingxiang Huaci Insulators Group Co., Ltd.			Title Distribution Deadend Type Insulators				
Class	IEC: /	Date	Drawing No	Design	Check	Approve	Scale
	ANSI: FXBW-13.8/70CT	2021/10/16	EC-SU01325	胡志	吴薇	李	1:1
	GB: /						
Material Composite/Silicone		Weight 1.0kg	Color Light Grey	Type No FXBW-13.8/70CT		Rev 1	