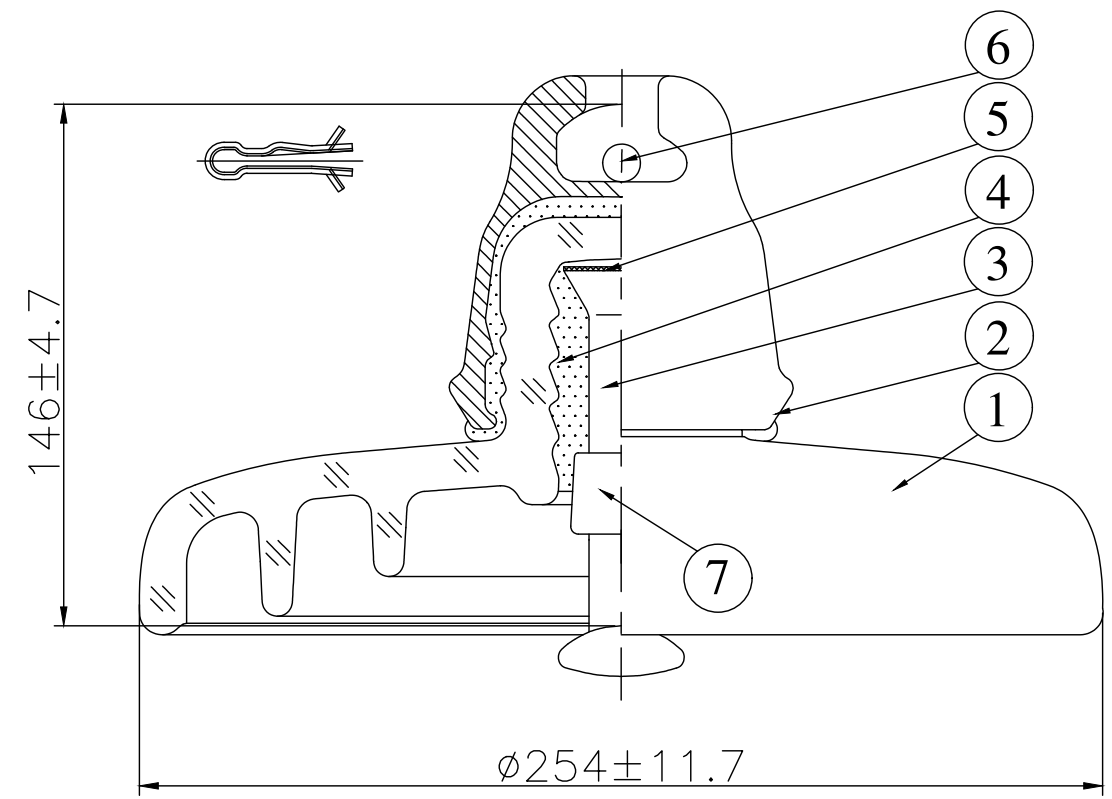


Note: to purchaser all sales of Huaci products are subject to our standard terms and conditions and the limited warranties thereunder.



1. DIMENSIONS VALUES
 - A) SHELL DIAMETER (D): 10IN (254MM)
 - B) UNIT SPACING (S): 5-3/4IN (146MM)
 - C) CONNECTION TYPE: BALL AND SOCKET TYPE J
 - D) LEAKAGE DISTANCE: 11IN (279MM)
2. MECHANICAL VALUES
 - A) MECHANICAL FAILING LOAD: 25,000LB (111KN)
3. ELECTRICAL VALUES
 - A) LOW-FREQUENCY DRY FLASHOVER VOLTAGE: 80KV
 - B) LOW-FREQUENCY WET FLASHOVER VOLTAGE: 50KV
 - C) CRITICAL IMPULSE FLASHOVER VOLTAGE, POSITIVE: 125KV
 - D) CRITICAL IMPULSE FLASHOVER VOLTAGE, NEGATIVE: 130KV
 - E) LOW-FREQUENCY PUNCTURE VOLTAGE: 130KV
4. RADIO INFLUENCE VOLTAGE
 - A) LOW-FREQUENCY TEST VOLTAGE, RMS TO GROUND: 10KV
 - B) MAXIMUM RIV AT 1000 KHZ: 50µV

NOTE:
 1. ALL DIMENSIONS ARE IN MILLIMETERS ACCORDING TO ANSI/NEMA C29.2B.
 2. IRON AND STEEL ARE HOP DIP GALVANIZED ACCORDING TO ASTM A153.
 3. ALL THE TECHNICAL AND TESTING ARE IN ACCORDANCE WITH ANSI/NEMA C29.2B.

7	Sleeve	>99.7% Zinc (Adherent Sleeve)	1
6	Split Pin	Stainless Steel R Clip	1
5	Gasket	Asphalt Felt	1
4	Binding Material	Aluminous Cement	1
3	Ball Pin	Forged Steel	1
2	Socket Cap	Malleable Cast Iron	1
1	Toughened Glass Body	G-120	1
No	Description	Material	Qty

Manufacture				Title			
HUACI				Standard Type Suspension Insulators			
Pingxiang Huaci Insulators Group Co., Ltd.							
Class	IEC: U120B (Equal)	Date	Drawing No	Design	Check	Approve	Scale
	ANSI: 52-5	2019/10/25	EG-ST11102-Z	杨恩	吴薇	李杰	1:1
	GB: UG120BN (Equal)						
Material		Weight	Color	Type No			Rev
Toughened Glass		3.8kg	Light Green	ANSI 52-5			/