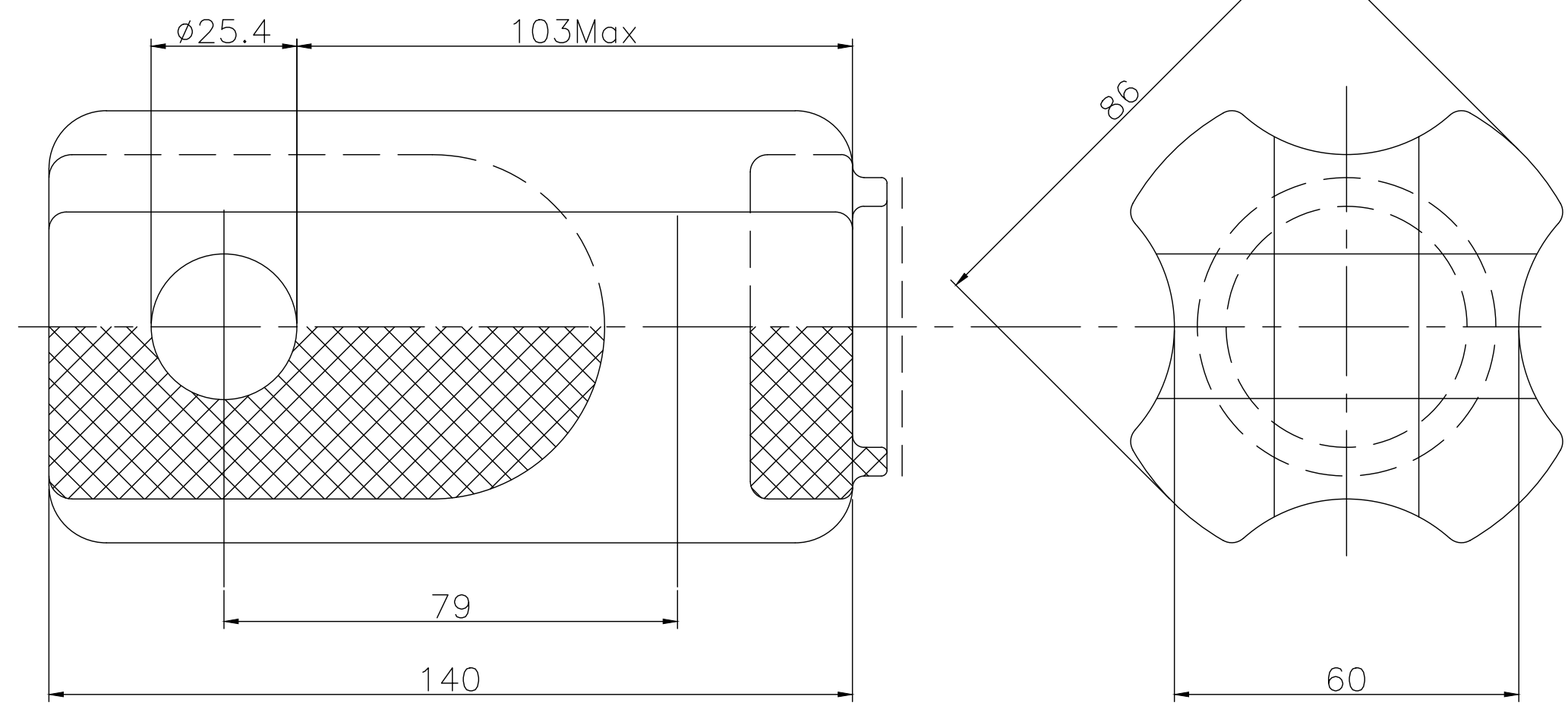


Note: to purchaser all sales of Huaci products are subject to our standard terms and conditions and the limited warranties thereunder.



1. DIMENSIONS VALUES
 - A) DIAMETER (D): 3-3/8IN (86MM)
 - B) HEIGHT (H): 5-1/2IN (140MM)
 - C) LEAKAGE DISTANCE: 2 1/4IN (57MM)
2. MECHANICAL VALUES
 - A) TENSILE STRENGTH: 20,000LB (89KN)
3. ELECTRICAL VALUES
 - A) LOW-FREQUENCY DRY FLASHOVER VOLTAGE: 35KV
 - B) LOW-FREQUENCY WET FLASHOVER VOLTAGE: 18KV

NOTE:
 1. ALL DIMENSIONS ARE IN MILLIMETERS ACCORDING TO ANSI/NEMA C29.4
 2. ALL THE TECHNICAL AND TESTING ARE IN ACCORDANCE WITH ANSI/NEMA C29.4

Manufacture HUACI Pingxiang Huaci Insulators Group Co., Ltd.			Title Strain Insulators				
Class	IEC: /	Date	Drawing No	Design	Check	Approve	Scale
	ANSI: 54-3	2020/07/08	EP-ST05403	胡军	吴薇	李华	1:1
	GB: /						
Material Porcelain/Ceramic		Weight 1.2kg	Color Grey Glazed	Type No ANSI 54-3		Rev /	