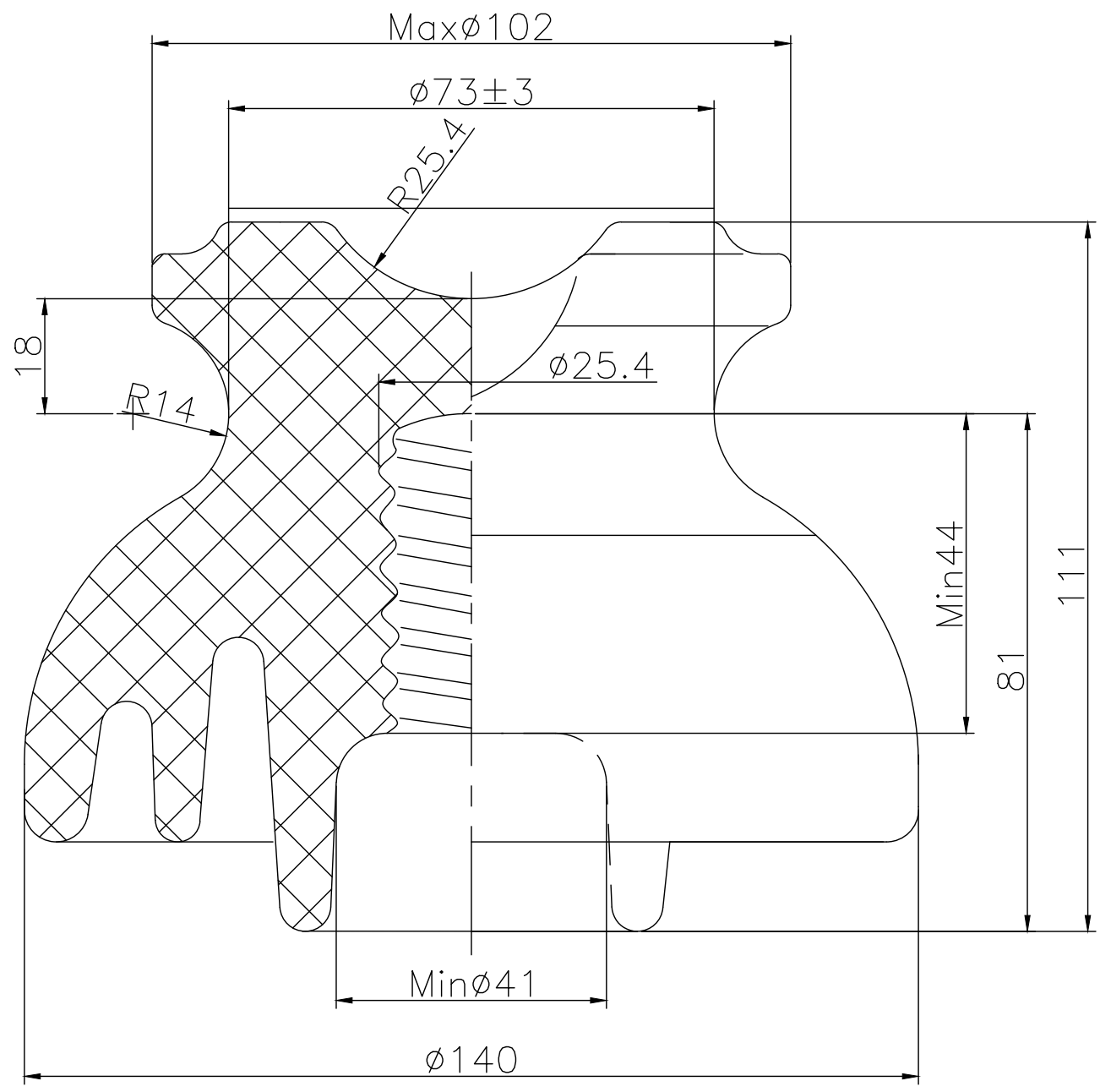




Note: to purchaser all sales of Huaci products are subject to our standard terms and conditions and the limited warranties thereunder.



- DIMENSIONS
 - DIAMETER (D): 5-1/2IN (140MM)
 - HEIGHT (H): 4-3/8IN (111MM)
 - LEAKAGE DISTANCE: 9IN (229MM)
 - DRY ARCING DISTANCE: 5IN (127MM)
 - MINIMUM PIN HEIGHT: 5IN (127MM)
- MECHANICAL VALUES
 - CANTILEVER STRENGTH: 3,000LB (13KN)
- ELECTRICAL VALUES
 - LOW-FREQUENCY DRY FLASHOVER VOLTAGE: 65KV
 - LOW-FREQUENCY WET FLASHOVER VOLTAGE: 35KV
 - CRITICAL IMPULSE FLASHOVER VOLTAGE, POSITIVE: 105KV
 - CRITICAL IMPULSE FLASHOVER VOLTAGE, NEGATIVE: 130KV
 - LOW-FREQUENCY PUNCTURE VOLTAGE: 95KV
- RADIO INFLUENCE VOLTAGE
 - LOW-FREQUENCY TEST VOLTAGE, RMS TO GROUND: 10KV
 - MAXIMUM RIV AT 1000 kHz: $50\mu V$

NOTE:
 1. ALL DIMENSIONS ARE IN MILLIMETERS ACCORDING TO ANSI/NEMA C29.5
 2. ALL THE TECHNICAL AND TESTING ARE IN ACCORDANCE WITH ANSI/NEMA C29.5

Manufacture HUACI Pingxiang Huaci Insulators Group Co., Ltd.			Title Low and Medium Voltage Pin Type Insulators (Radio Freed)				
Class	IEC: /	Date	Drawing No	Design	Check	Approve	Scale
	ANSI: 55-4	2020/07/08	EP-PI05504	胡志	吴薇	李林	2:1
	GB: /						
Material Porcelain/Ceramic		Weight 1.8kg	Color Brown Glazed	Type No ANSI 55-4			Rev /