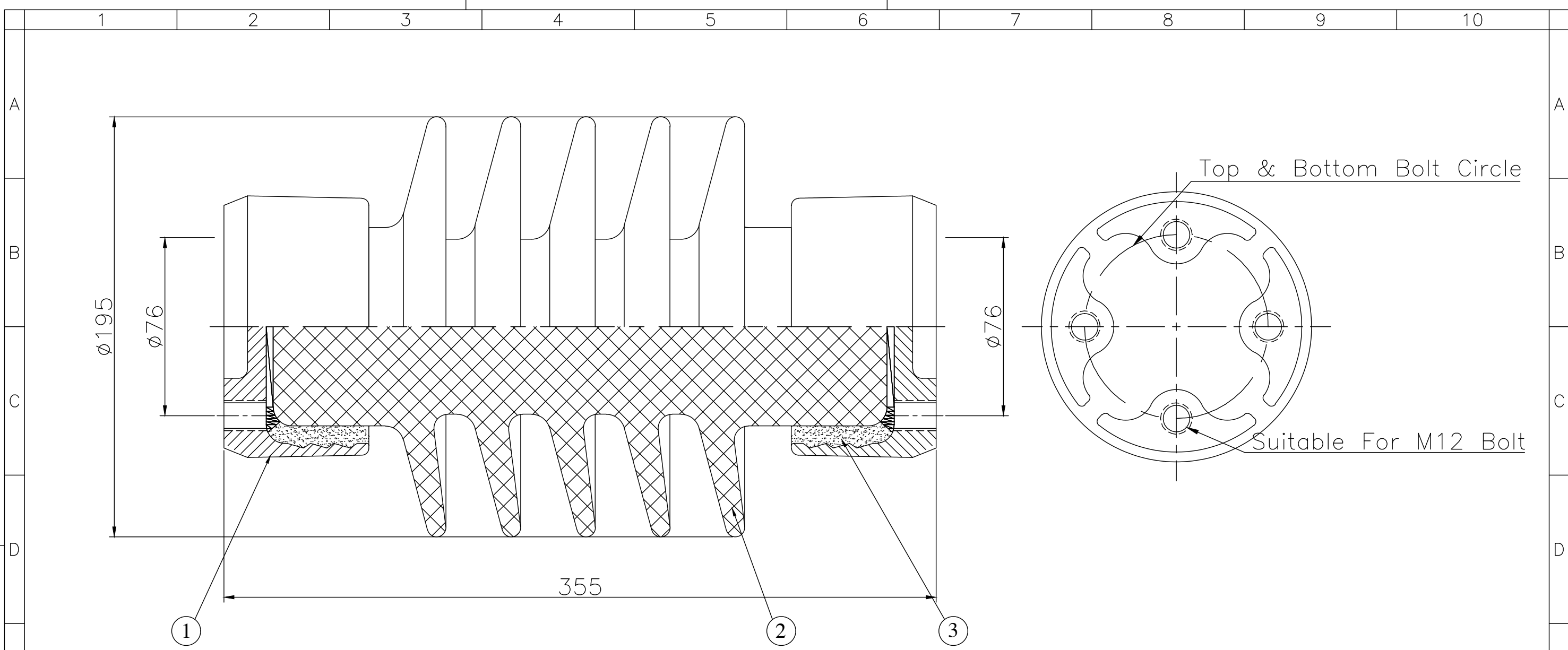


Note: to purchaser all sales of Huaci products are subject to our standard terms and conditions and the limited warranties thereunder.



NOTE:
 1. ALL DIMENSIONS ARE IN MILLIMETERS ACCORDING TO IEC 60168 AND IEC 60272.
 2. IRON AND STEEL ARE HOP DIP GALVANIZED ACCORDING TO BS EN ISO 1461.
 3. ALL THE TECHNICAL AND TESTING ARE IN ACCORDANCE WITH IEC 60168.

5	/	/	/	/
4	/	/	/	/
3	Binding Material	Aluminous Cement	525#	/
2	Weathersheds	Porcelain	(Φ195)	/
1	Flange Base	Galvanized Steel	As Specified	2
No	Description	Material	Remark	Qty

10	Maximum RIV At 1000 Khz: μV	100
9	Low-Frequency Test Voltage, RMS To Ground: kV	22
8	Compression Strength: kN	66.7
7	Torsion Strength: kN·m	44.5
6	Tension Strength: kN	53.4
5	Cantilever Strength: kN	4
4	Lightning Impulse Withstand Voltage: kV	150
3	Power Frequency Dry Withstand Voltage: kV	75
2	Power Frequency Wet Withstand Voltage: kV	50
1	Creepage Distance: mm	600
No	Description	Value

Manufacture HUACI Pingxiang Huaci Insulators Group Co., Ltd.			Title Station Post Insulators				
Class	IEC: C4-150	Date	Drawing No	Design	Check	Approve	Scale
	ANSI: /	2021/10/08	EP-ST15001	胡志	吴薇	李林	1:1
	AS: /						
	Material	Weight	Color	Type No		Rev	
	Porcelain/Ceramic	10.0kg	Brown Glazed	C4-150		1	