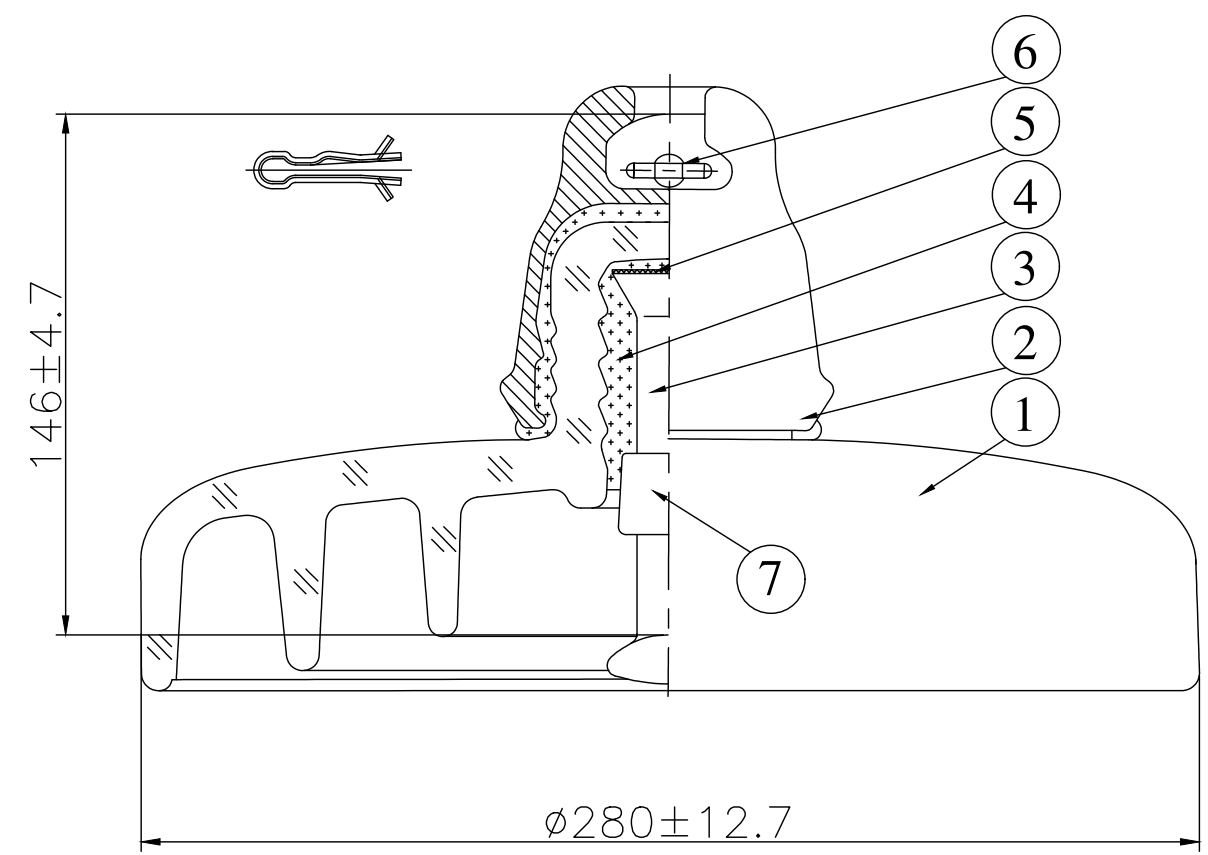


Note: to purchaser all sales of Huaci products are subject to our standard terms and conditions and the limited warranties thereunder.



1. DIMENSIONS VALUES
 - A) NOMINAL DIAMETER (D): 280MM
 - B) NOMINAL SPACING (P): 146MM
 - C) DESIGNATED SIZE OF COUPLING: BALL AND SOCKET 16
 - D) NOMINAL CREEPAGE DISTANCE: 450MM
2. MECHANICAL VALUES
 - A) MINIMUM MECHANICAL FAILING LOAD: 120KN
3. ELECTRICAL VALUES
 - A) DRY POWER-FREQUENCY WITHSTAND VOLTAGE: 85KV
 - B) WET POWER-FREQUENCY WITHSTAND VOLTAGE: 50KV
 - C) DRY LIGHTNING IMPULSE WITHSTAND VOLTAGE: 125KV
 - D) PUNCTURE WITHSTAND VOLTAGE: 130KV
4. RADIO INFLUENCE VOLTAGE
 - A) TEST VOLTAGE, RMS TO GROUND: 10KV
 - B) MAXIMUM RIV AT 1000 KHZ: 50µV

NOTE:
 1. ALL DIMENSIONS ARE IN MILLIMETERS ACCORDING TO IEC 60305 AND IEC 60120.
 2. IRON AND STEEL ARE HOP DIP GALVANIZED ACCORDING TO BS EN ISO 1461.
 3. ALL THE TECHNICAL AND TESTING ARE IN ACCORDANCE WITH IEC 60383-1.

No	Description	Material	Qty
7	Sleeve	>99.7% Zinc (Adherent Sleeve)	1
6	Split Pin	Stainless Steel R Clip	1
5	Gasket	Asphalt Felt	1
4	Binding Material	Aluminous Cement	1
3	Ball Pin	Forged Steel	1
2	Socket Cap	Malleable Cast Iron	1
1	Toughened Glass Body	G-120	1

Manufacture HUACI Pingxiang Huaci Insulators Group Co., Ltd.			Title Fog Type Suspension Insulators				
Class	IEC: U120BP	Date 2019/10/25	Drawing No EG-F012002-Z	Design	Check	Approve	Scale
	ANSI: /			胡晓	吴薇	李杰	1:1
	GB: UG120BH (Equal)			Type No U120BP		Rev /	
	Material Toughened Glass	Weight 5.5kg	Color Light Green				