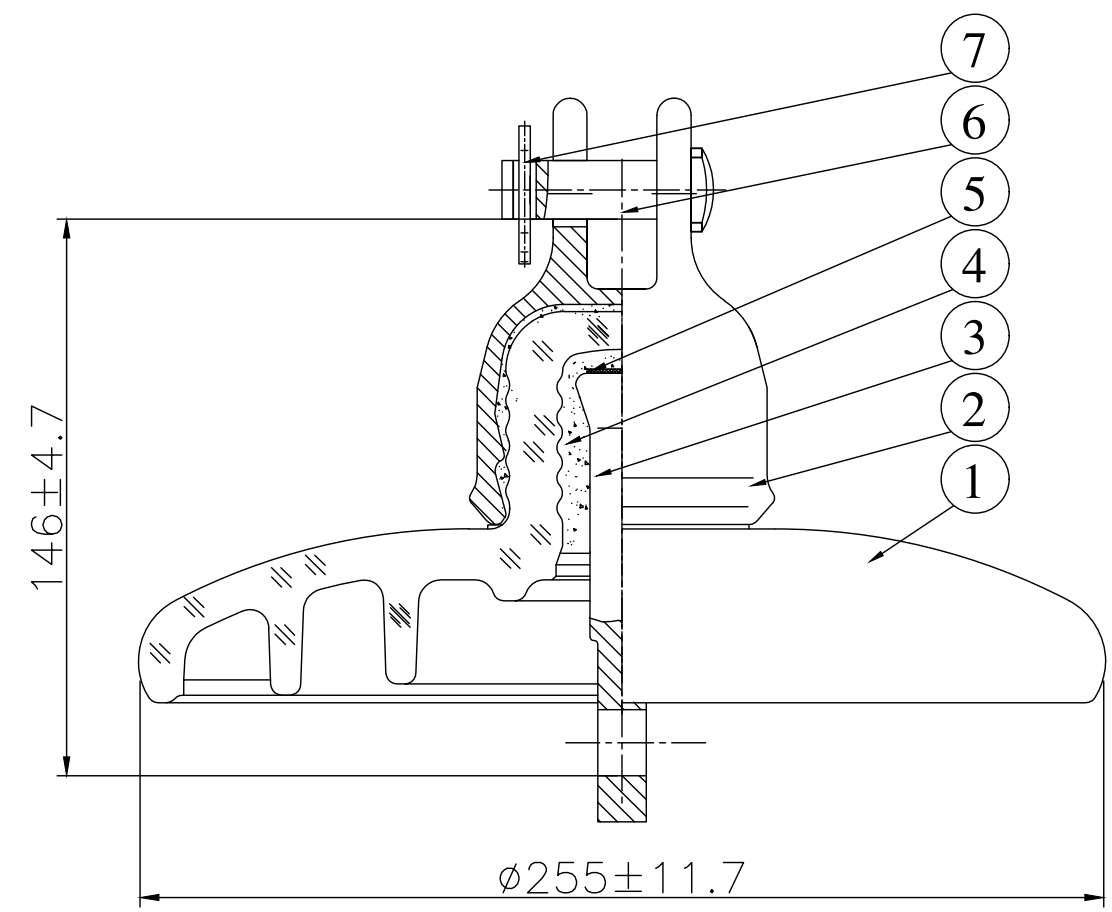


Note: to purchaser all sales of Huaci products are subject to our standard terms and conditions and the limited warranties thereunder.



1. DIMENSIONS
  - A) NOMINAL DIAMETER (D): 255MM
  - B) NOMINAL SPACING (P): 146MM
  - C) DESIGNATED SIZE OF COUPLING: CLEVIS AND TONGUE 16C
  - D) NOMINAL CREEPAGE DISTANCE: 320MM
2. MECHANICAL VALUES
  - A) MINIMUM MECHANICAL FAILING LOAD: 70KN
3. ELECTRICAL VALUES
  - A) DRY POWER-FREQUENCY WITHSTAND VOLTAGE: 70KV
  - B) WET POWER-FREQUENCY WITHSTAND VOLTAGE: 40KV
  - C) DRY LIGHTNING IMPULSE WITHSTAND VOLTAGE: 100KV
  - D) PUNCTURE WITHSTAND VOLTAGE: 130KV
4. RADIO INFLUENCE VOLTAGE DATA
  - A) TEST VOLTAGE RMS TO GROUND: 10KV
  - B) MAXIMUM RIV AT 1000 KHZ: 50µV

NOTE:  
 1. ALL DIMENSIONS ARE IN MILLIMETERS ACCORDING TO IEC 60305 AND IEC 60120.  
 2. IRON AND STEEL ARE HOP DIP GALVANIZED ACCORDING TO BS EN ISO 1461.  
 3. ALL THE TECHNICAL AND TESTING ARE IN ACCORDANCE WITH IEC 60383-1.

No	Description	Material	Qty
7	Split Pin	Stainless Steel R Clip	1
6	Coupling Pin	Forged Steel	1
5	Gasket	Asphalt Felt	1
4	Binding Material	Aluminous Cement	1
3	Ball Pin	Forged Steel	1
2	Socket Cap	Malleable Cast Iron	1
1	Toughened Glass Body	G-120	1

Manufacture <b>HUACI</b> <b>Pingxiang Huaci Insulators Group Co., Ltd.</b>			Title <b>Standard Type Suspension Insulators</b>				
Class	IEC: U70C	Date 2021/11/09	Drawing No EG-ST07011	Design	Check	Approve	Scale
	ANSI: 52-4(Equal)			材料	吴薇	李林	1:1
	GB: UG70CN (Equal)						
	Material Toughened Glass	Weight 3.7kg	Color Light Green	Type No <b>U70C</b>		Rev /	